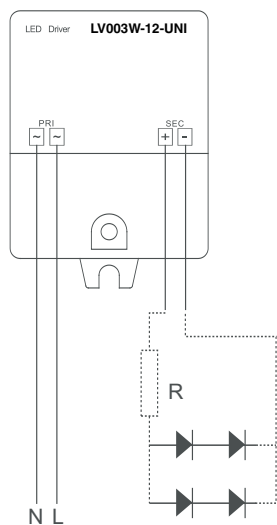




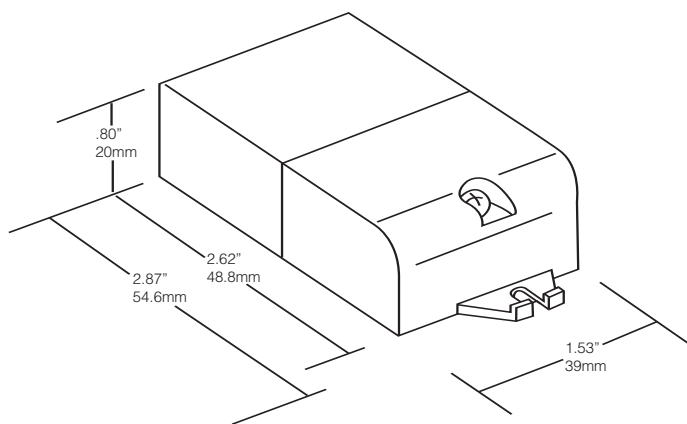
ELECTRONIC SPECIFICATIONS

Input Voltage Range	90-264VAC
Input Frequency	50/60Hz
Output Power	3W
Input Current	40mA@230VAC
Output Voltage	12VDC
Output Current	250mA
Power Factor	0.55
Ambient Temp.	-20°-+50°C
Case Temp. (Tc)	+90°C

WIRING DIAGRAM



DIMENSIONS



LED TYPE

.04 ~ .1W

Terminals	:	Quick Connect
Case Material	:	Polycarbonate
RoHS Compliant	:	Yes
UL1310 Compliant	:	Yes
Indoor Use	:	Low Humidity / No Condensation

Regulatory Approvals

