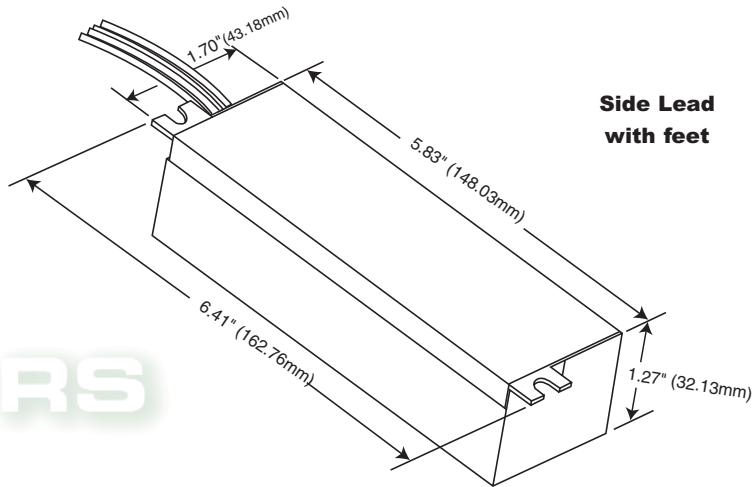


HATCH

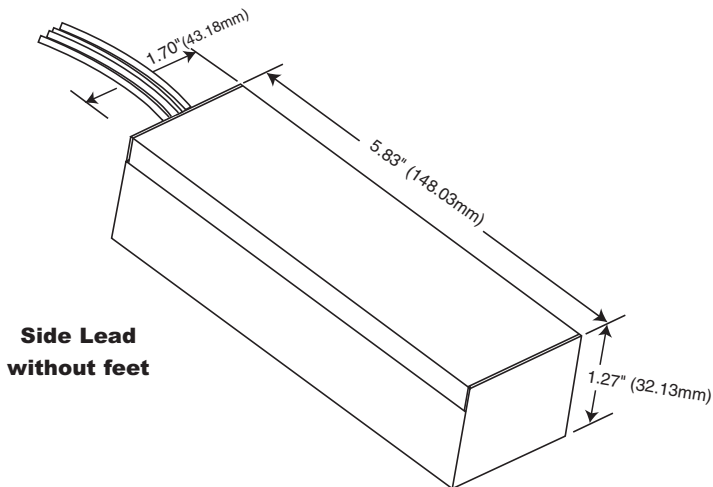
NEW 300 WATT "RS" SERIES ELECTRONIC TRANSFORMER



RS12-300



RS



Electronic Low Voltage Transformer Features:

- High Reliability
- Moisture and Shock Resistant
- Emits No Audible Noise
- Low Harmonic Distortion
- High Power Factor
- Lightweight, Compact Design
- Works with most commercially available dimmers. Hardwire electronic dimmers are recommended for optimum performance.

Environmental Specifications

Maximum Case Temperature	80°C
Sound Rating	A+
Operating Humidity	95% relative humidity, non-condensating
Environmental Protection	Epoxy Sealed for moisture resistance and shock/vibration resistance

Electrical/Mechanical Specifications

Input	120 VAC - 50/60 HZ
Output	11.5 VAC
Enclosure Material	Metal
Weight9 oz.
Power Factor	> 0.95
Operating Frequency	25 KHz
Total Harmonic Distortion	≤ 20%
Safety Standard	c us
Input Leads	6", 18AWG stranded, 105 degree C stripped 3/8" tinned
Output Leads	6", 18AWG stranded, 105 degree C stripped 3/8" tinned

Soft Start Circuitry

All models of Hatch low-voltage transformers utilize a soft start circuitry to maximize lamp life. The soft start circuit ramps up the lamp filament voltage slowly when the lamp is cold.

Electronic Short-Circuit Protection

All Hatch low-voltage transformers employ our (ESP) Electronic Short Circuit and over load Protection. The ESP sensing circuit will instantly shut down the output before any of the components are stressed if a short circuit or over load is detected. The transformer will automatically reset as soon as the fault is corrected.

HATCH

RS 300 WATT

H A R D W I R E E L E C T R O N I C

Max Watts	Min Watts	Input Volts	Output Volts	Input Amps	Output Amps	Hatch Item No.	Safety Listing
300	100	120	11.5	2.5	25.5	RS12-300	UL/C-UL Recognized

WIRING DIAGRAMS



Specifications subject to
change without notice.
505