

Electronic H.I.D. Ballasts



39 WATT UNIVERSAL SIDE LEAD AND BOTTOM FEED MODELS



39 Watt Universal Mini

Only Hatch Offers:

- Ultra low Spectral Power Density
- Patented Half Bridge Technology
- Patented Automatic Lamp Crest Factor Control "ALCFC"
- Industry Leading Remote Mount Capabilities

Features

- Superior color uniformity
- Low profile, lightweight
- Excellent Lumen Maintenance
- Constant lumen output over a wide input voltage range and lamp voltage variation
- Significant energy savings as compared to magnetic ballasts
- Thermal protection
- Approved for recessed use
- Micro Processor Controlled
 - Safety Shut Down Features
 - End of Lamp Life Protection
 - Superior Hot Lamp Restrike Characteristics
- Designed, tested & approved for most Lamp Brands.
(Contact factory for approved list)
- Low Voltage Lamp Shutdown

Environmental Specifications

Minimum Starting Temperature.....-30°C
Maximum Case Temperature.....80°C
Emi/RFIComplies with FCC 18C
Sound Rating.....A
WarrantyUp to 5 Years
Safety ListingUL Type 1 Outdoor

Electrical/Mechanical Specifications

INPUT

VoltageWide range input 108-305V
Frequency50/60Hz
Line Regulation.....+/-0.5 output variation over full input range
Power Factor.....> 0.95
Total Harmonic Distortion.....< 10%

OUTPUT

Lamp Operating Frequency...165Hz Square Wave
Lamp Current C.F......<1.3
ALCFCYes

Weight.....12 oz
Case MaterialMetal
Transient Protection.....Yes
Short Circuit Protection.....Yes
Thermal Protection.....Yes
Open Circuit / No Lamp / Hot Lamp Shutdown, Retry and Ignition Failure Protection.....Yes
 Ignition failure shutdown in 5 seconds followed by multiple timed restrikes with lamp ignition or timed shutdown until power is reset (restrike timing is lamp wattage dependent).

Lamp Distance from BallastConsult factory.
Lead Lengths
Side Lead Models8"
Bottom Feed Models10"
Safety StandardUL US LISTED



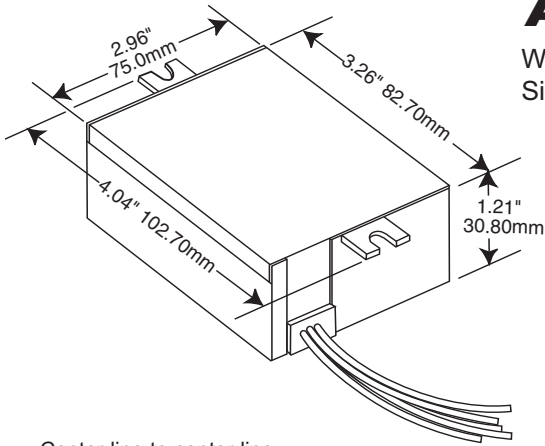
Hatch Transformers, Inc.

5403 West Gray Street, Tampa Florida 33609 • Ph: 813-288-8006 • Fax: 813-288-8105 • www.hatchtransformers.com

Electronic H.I.D. Ballasts

39 Watt Universal

DIMENSIONS



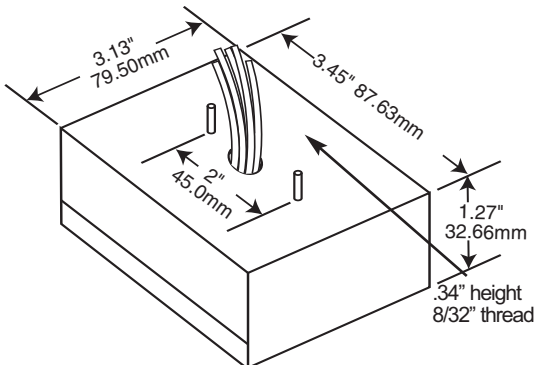
A1.

With Feet
Side Leads

Center line to center line
is .16" less than end to
end on models with
mounting feet.

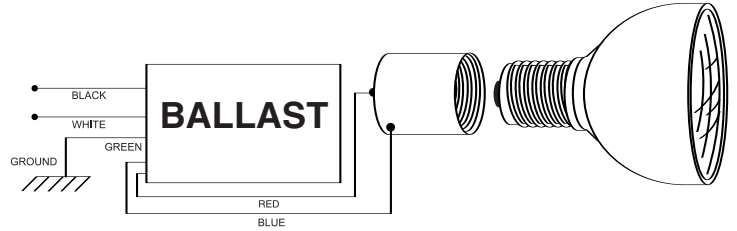
C.

Bottom Feed

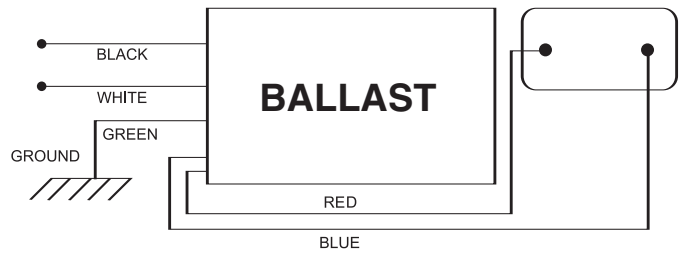


WIRING DIAGRAMS

For PAR Lamps



For Double Ended or Bi-Pin Lamps



| Watts | LAMP TYPES / ANSI CODES | No. Lamps | Nominal Input Power | Input Current | Case Dim. | Hatch Item Number |
|-------|-----------------------------------|-----------|---------------------|--|-----------|-------------------|
| 39 | M130 Ceramic SLi BriteSpot 39W | 1 | 44 Watts | 120V-.37 Amps 208V-.22 Amps 240V-.19 Amps 277V-.16 Amps | A1 | MC39-1-F-UNNU |
| | | | | | C | MC39-1-J-UNNU |

Specifications subject to change without notice. 0708

**Please call your Hatch representative or refer to the latest
Hatch Electronic Ballast/Lamp Matrix for specifics.**

HATCH

Hatch Transformers, Inc.

5403 West Gray Street, Tampa Florida 33609 • Ph: 813-288-8006 • Fax: 813-288-8105 • www.hatchtransformers.com