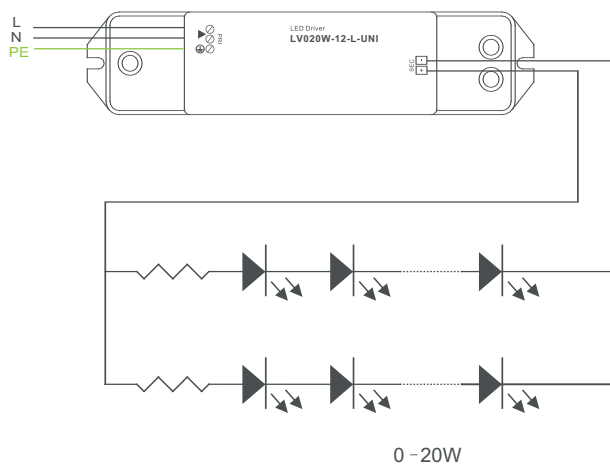


ELECTRONIC SPECIFICATIONS

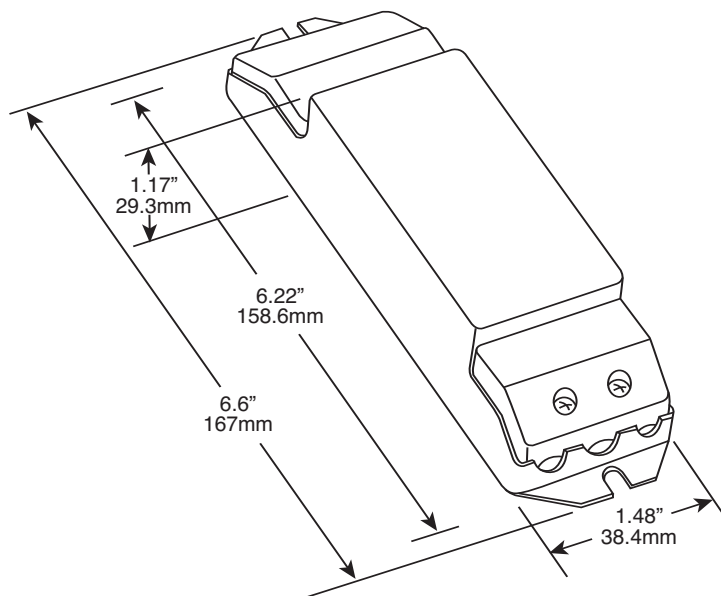


Input Voltage Range	90-264VAC
Input Frequency	50/60Hz
Output Power	20W
Input Current	110mA@230VAC
Output Voltage	11-12VDC
Output Current	1.67A max
Power Factor	0.95
Ambient Temp.	-20°+50°C
Case Temp. (Tc)	+90°C
Class 2	Yes

WIRING DIAGRAM



DIMENSIONS



LED TYPE

0.04-0.1W

Terminals	:	Screw Terminal
Case Material	:	Polycarbonate
RoHS Compliant	:	Yes
UL1310 Compliant	:	Yes
Indoor Use	:	Low Humidity / No Condensation

Regulatory Approvals

