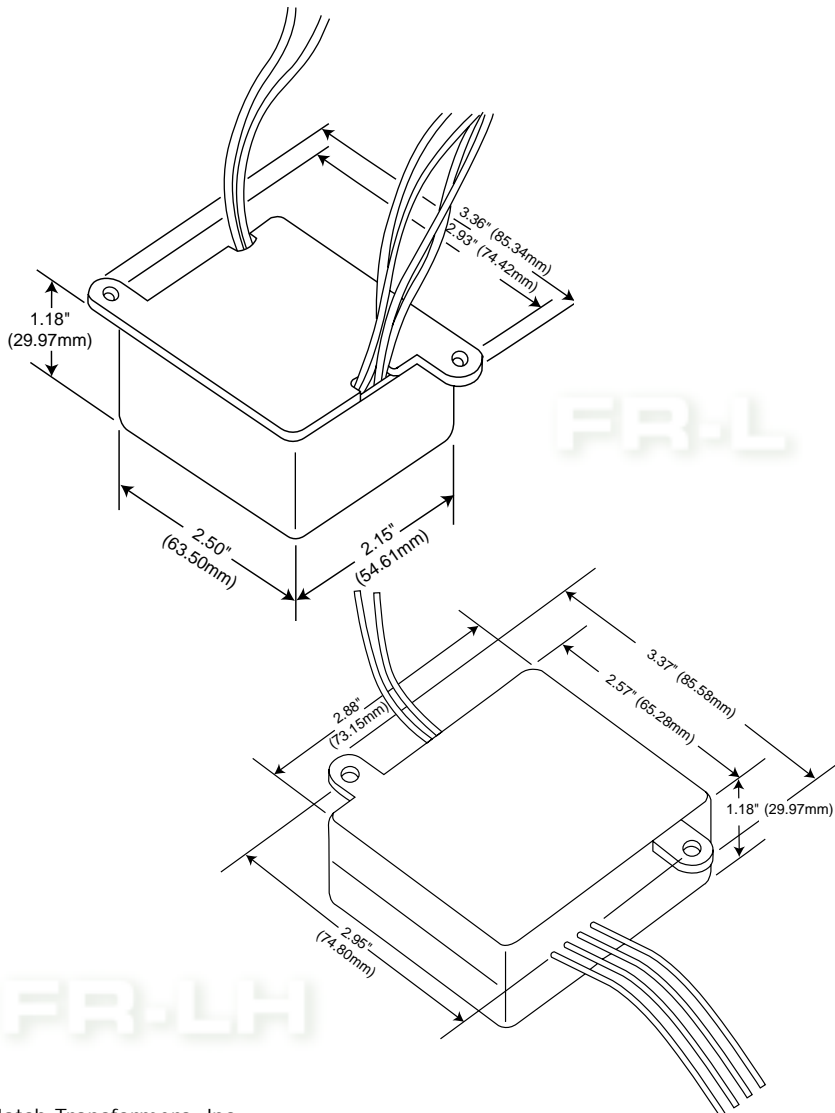


# HATCH


## 10 TO 38 WATT 1-LAMP "FR" SERIES COMPACT FLUORESCENT BALLAST




### Compact Fluorescent Hardwire Ballast Features:

- Auto Restart After Hot Relamp
- Deactive Lamp Protection Circuit
- Flicker Free Operation
- High Power Factor
- Low THD
- 100% Factory Tested
- High Reliability
- No Audible Noise
- True Preheat Starting
- No Starting Aid Required
- Energy Efficient
- High Frequency Operation
- Solid State
- Moisture and Shock Resistant
- No PCBs

### Environmental Specifications

<b>Maximum Case Temperature</b>	70°C at "T" point
<b>Minimum Starting Temperature</b>	-25°C
<b>Sound Rating</b>	A+
<b>Operating Humidity</b>	95% relative humidity, non-condensating
<b>Environmental Protection</b>	Epoxy Sealed for moisture resistance and shock vibration resistance
<b>Safety Listing</b>	 Class P Type 1 outdoor

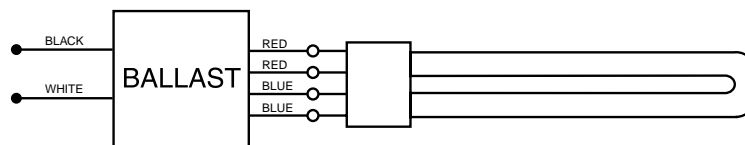
### Electrical/Mechanical Specifications

<b>Input Voltage</b> .....	120V 50/60 Hz
.....	230V 50 Hz (special order)
.....	277V 60 Hz
<b>Color</b> .....	White
<b>Weight</b> .....	FRL-5.0 oz./ FRLH-6.0 oz.
<b>Operating Frequency</b> .....	50 KHz +
<b>Power Factor</b> .....	≥ 0.99
<b>Total Harmonic Distortion</b> .....	5-13% depending
.....	on lamp/ballast combination
<b>Deactive Lamp Protection</b> .....	Yes
<b>Auto Restart After Hot Relamp</b> .....	Yes
<b>Current Crest Factor</b> .....	≤ 1.7
<b>Open Circuit Protected</b> .....	Yes
<b>RFI Suppression</b> .....	Yes
<b>Input Leads</b> .....	10 <sup>5</sup> / <sub>8</sub> " 18 AWG solid 105 degree C stripped <sup>3</sup> / <sub>8</sub> "
<b>Output Leads</b> .....	10 <sup>5</sup> / <sub>8</sub> " 18 AWG solid 105 degree C stripped <sup>3</sup> / <sub>8</sub> "
<b>Meets ANSI 15 C62.41, ANSI C82.1 CLASS P</b>	
<b>Safety Agency</b> .....	 US LISTED

# HATCH

## 1-LAMP "FR" SERIES 10 TO 38 WATT

Watts	GE2D	GE BIAx	OSRAM	PHILIPS	No. Lamps	Input Volts	Input Amps	Case Style	Hatch Item Number
10	F10/2D/4P	F10DBX	CF10DD/E DULUX D/E 10		1	120	0.11	FR-LH FR-L	FR1000LH FR1000L
						230	0.06	FR-LH	FR1000-230
						277	0.05	FR-LH FR-L	FR1000-277 FR1000-277L
13		F13DBX F13TBX	CF13DD/E DULUX D/E 13	PL-C 13W/4P	1	120	0.13	FR-LH FR-L	FR1300LH FR1300L
						230	0.07	FR-LH	FR1300-230
						277	0.06	FR-LH FR-L	FR1300-277 FR1300-277L
18	F16/2D/4P	F18DBX F18TBX	CF18DD/E CF18DT/E/IN DULUX D/E 18 DULUX T/E/IN18	PL-C 18W/4P PL-T 18W/4P	1	120	0.15	FR-LH FR-L	FR1800LH FR1800L
						230	0.08	FR-LH	FR1800-230
						277	0.07	FR-LH FR-L	FR1800-277 FR1800-277L
21	F21/2D/4P				1	120	0.17	FR-LH FR-L	FR2100LH FR2100L
						230	0.10	FR-LH	FR2100-230
						277	0.08	FR-LH FR-L	FR2100-277 FR2100-277L
26	F28/2D/4P	F26DBX F26TBX	CF26DD/E CF26DT/E/IN DULUX D/E 26 DULUX T/E/IN 26	PL-C 26W/4P PL-T 26W/4P	1	120	0.21	FR-LH FR-L	FR2600LH FR2600L
						230	0.11	FR-LH	FR2600-230
						277	0.10	FR-LH FR-L	FR2600-277 FR2600-277L
32		F32TBX	CF32DT/E/IN DULUX T/E/IN 32	PL-T 32W/4P	1	120	0.26	FR-LH FR-L	FR3200LH FR3200L
						230	0.14	FR-LH	FR3200-230
						277	0.12	FR-LH FR-L	FR3200-277 FR3200-277L
38	F38/2D/4P				1	120	0.31	FR-LH FR-L	FR3800LH FR3800L
						230	0.16	FR-LH	FR3800-230
						277	0.14	FR-LH FR-L	FR3800-277 FR3800-277L



### WIRING DIAGRAM

Hatch Transformers, Inc.  
5403 West Gray Street, Tampa Florida 33609  
Ph: 813-288-8006 • Fax: 813-288-8105  
www.hatchtransformers.com

Specifications subject to  
change without notice.  
305