

# LVT-303-12 DC

## UL File Numbers

UL and C-UL Listed  
UL FILE # E 164062

## Available Versions

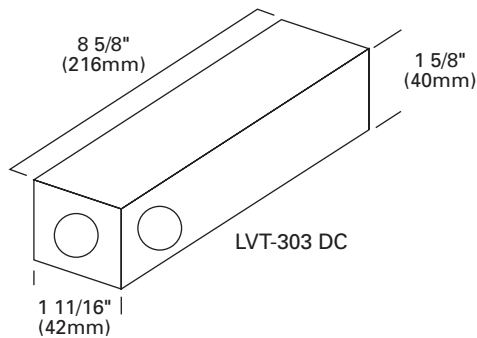
901303120-Standard Version

## Mechanical and Thermal

Dimensions (mm) 40 x 42 x 216  
 Dimensions (in.) 1 5/8 x 1 11/16 x 8 5/8  
 Weight 1.87 lbs/850 grams  
 Lead wire length 6"  
 Max. case temp. 90°C  
 Max. ambient temp. 35°C  
 Output wire-blue-12 AWG (12V) 200°C  
 Input wire-white/black-18AWG 150°C  
 Aluminum inner casing  
 Steel outer casing  
 Waterproof potting UL94V0

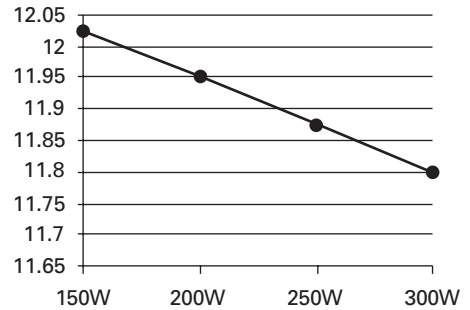
## Electrical

Load 50-300W  
 Input 120V 60Hz  
 Output at 300W 11.8V DC  
 Input current at 300W 2.5A  
 Output current at 300W 24.8A  
 Power factor 0.98  
 Max. harmonic distortion 14%  
 Dimmable with trailing edge dimmers

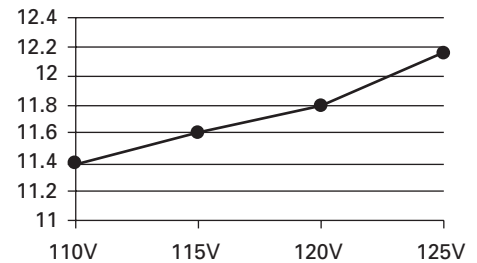


Power supply listed 7D 53

## Output Voltage vs. Load at 120V



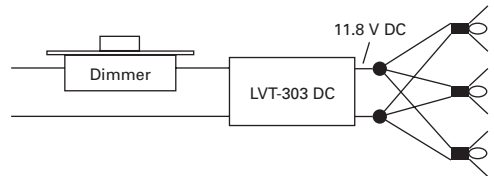
## Output vs. Input at Max. Load



## Protection

Resettable electronic short circuit protection. Auto-reset overload protection. Auto-Reset thermal cut-off @ 125C.

## Wiring Diagram



Inside the LVT DC